



All rights are reserved. Reproduction in whole or in part is prohibited without the written consent of the copyright owner.

PACKAGE : SOT363 (SC-88)

WEIGHT : 0,006 g

TAPE FACE : DIN 1451, condensed type

PRODUCER / VENDOR CODE : Height 0,55 - 0,75 mm
3 characters max. (optional incl. vendor code)
t, "-"

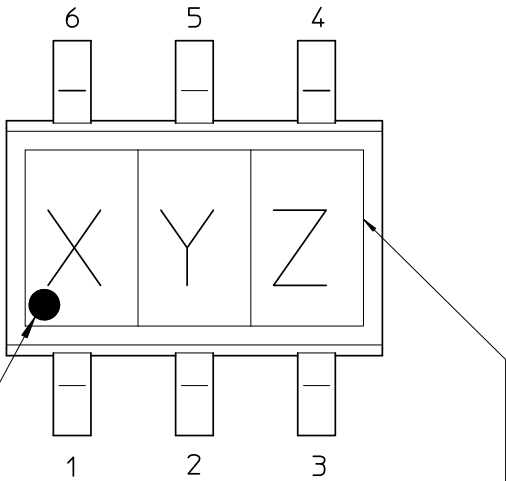
POSSIBLE VENDOR CODES : t = APM, (-) = APHK
shown in the marking list
only %

CHARACTER SET : \emptyset to 9
A to Z without I and O
t, (-)

DATE CODE : no date code

Option A : For Non-Picogate Types

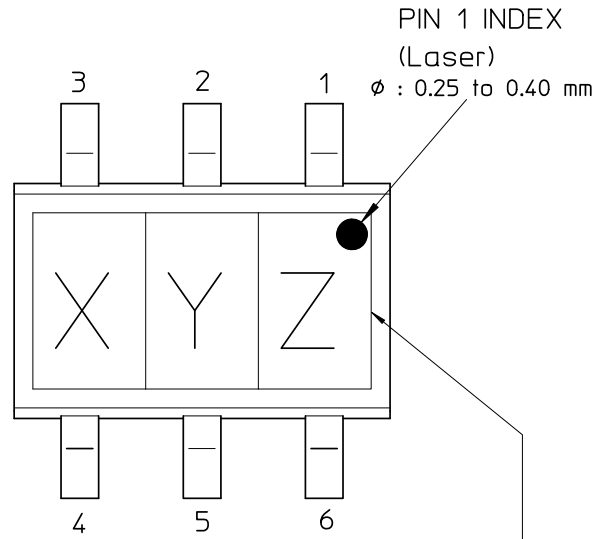
Normal Type



PIN 1 INDEX
(Laser)
 \emptyset : 0.25 to 0.40 mm

MARKING AREA
min. distance between marking
area and edge of plastic body
0,1 mm (all sides).

Reverse Type



PIN 1 INDEX
(Laser)
 \emptyset : 0.25 to 0.40 mm

MARKING AREA
min. distance between marking
area and edge of plastic body
0,1 mm (all sides).

	SOT363 (SC-88)	4312 256 00039	1999-10-22
			2000-12-22
			2008-08-22
			2010-04-02
Name: M. Lau	DWG No.: EH0625	3	180 - 1
PV	Check :	(c) NXP Semiconductors / TCC	010 - - - A 4
	Dat.: 1994-02-18		



All rights are reserved. Reproduction in whole or in part is prohibited without the written consent of the copyright owner.

PACKAGE : SOT363 (SC-88)



LASER MARKING

DEVICE NAME : Height 0.6 +/- 0.15 mm (DIN 6776 condensed type)
3 characters , no crossing of lines allowed for all characters and marks

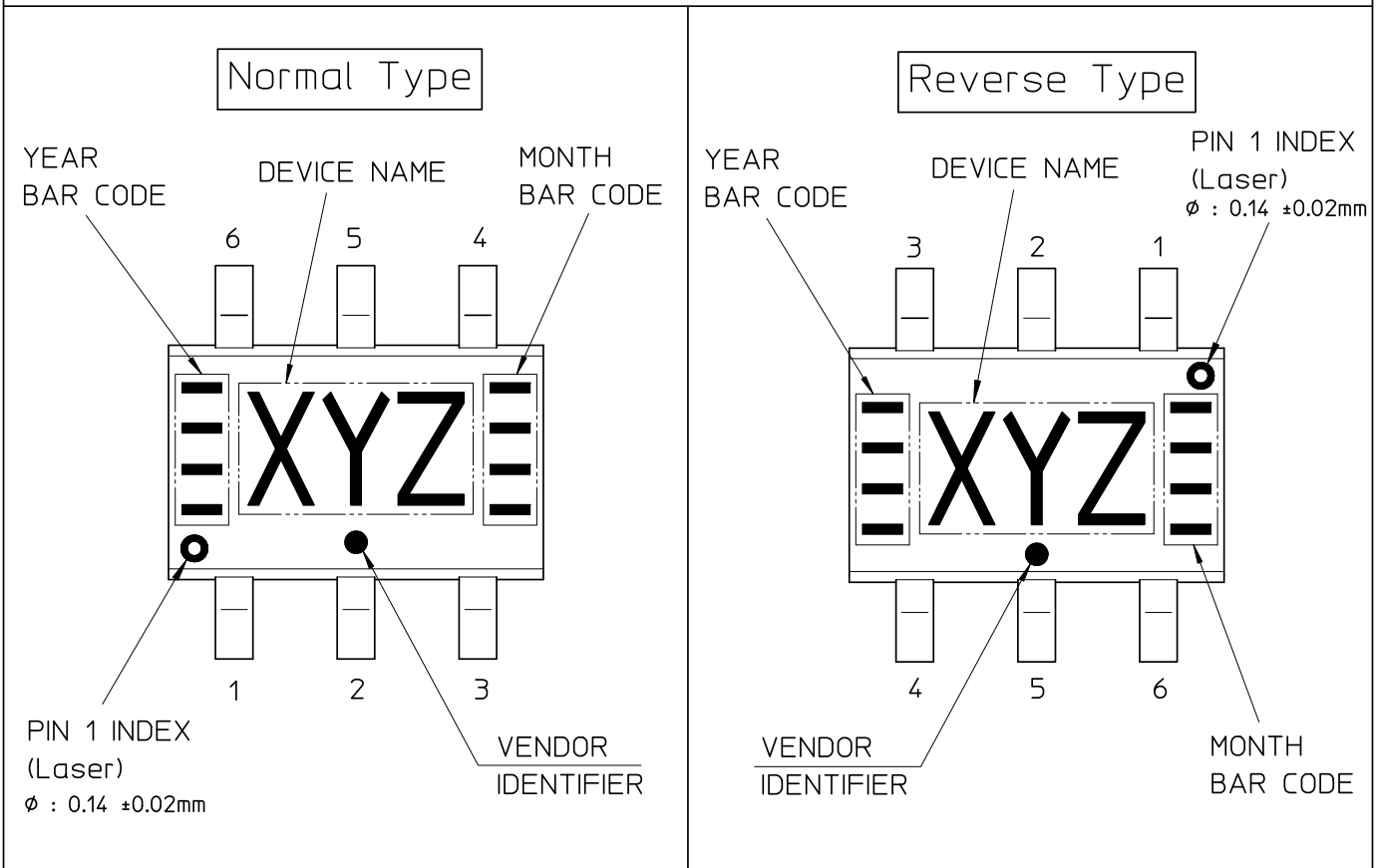
CHARACTER SET : 0 to 9
A to Z without I,O

YEAR BAR CODE : code see sheet 3

MONTH BAR CODE : code see sheet 3

VENDOR IDENTIFIER :  means "APHK"
 means "APM"

Option B : For Picogate Types



	SOT363 (SC-88)	4312 256 00039	1999-10-22	2000-12-22	2008-08-22	2010-04-02
Name: M. Lau	DWG No.: EH0625	3	180	-	2	010
PV	Check :	Dat.: 1994-02-18	(c)	NXP Semiconductors / TCC		



All rights are reserved. Reproduction in whole or in part is prohibited without the written consent of the copyright owner.

YEAR BAR CODE

MONTH BAR CODE

Last Digit of calendar year	YEAR BAR CODE
0	
1	
2	
3	
4	
5	
6	
7	
8	
9	

MONTH	MONTH BAR CODE
JAN	
FEB	
MAR	
APR	
MAY	
JUNE	
JULY	
AUG	
SEP	
OCT	
NOV	
DEC	

<div style="border: 1px solid black; width: 20px; height: 20px; display: inline-block;"></div>		<p>MARKING</p> <p>SOT363 (SC-88)</p>	<p>4312 256 00039</p>				1999-10-22		
			2000-12-22						
						2008-08-22			
						2010-04-02			
Name: M. Lau		DWG No.: EH0625	3	180	-	3	010	- - -	A 4
PV	Check :	Dat.: 1994-02-18		(c) NXP Semiconductors / TCC					